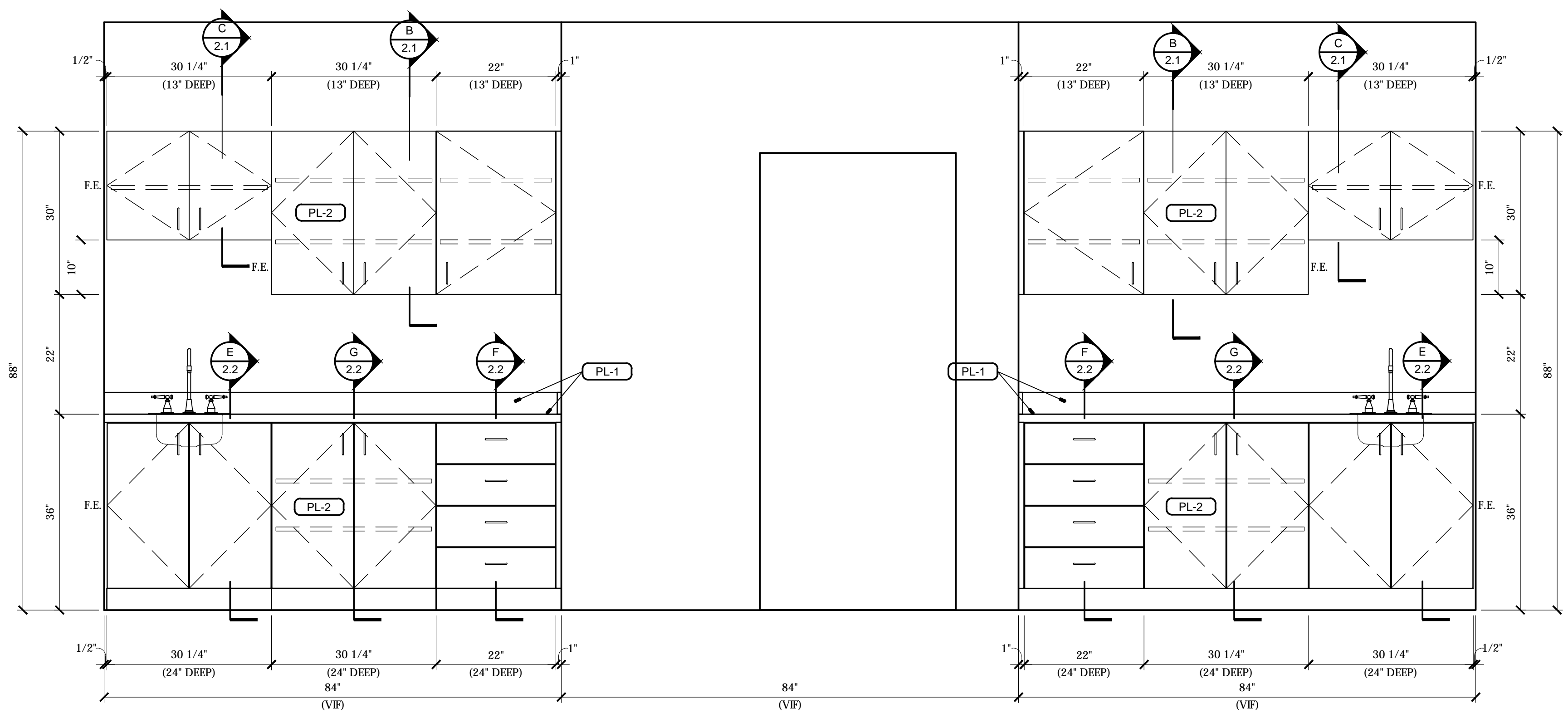
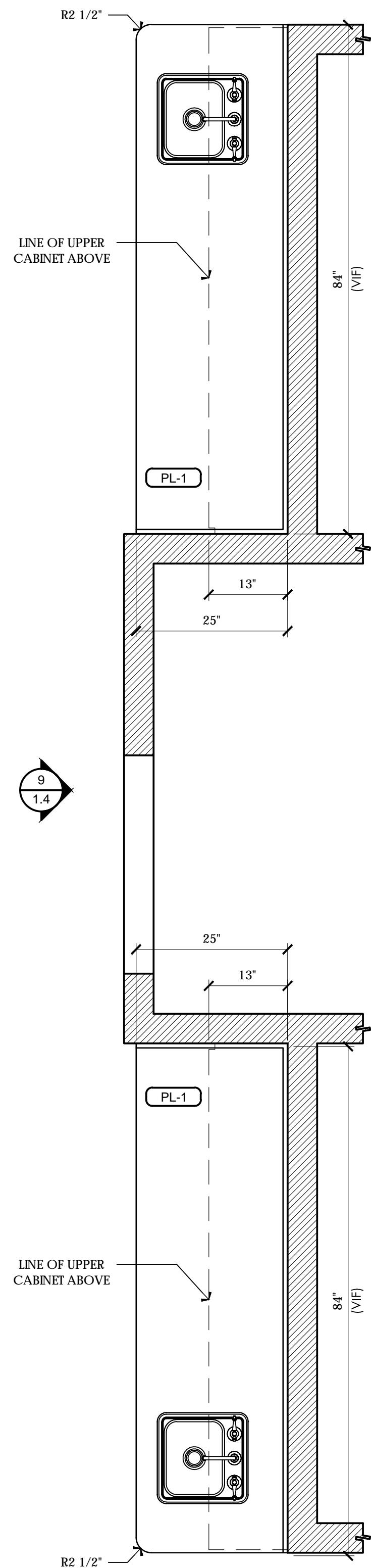
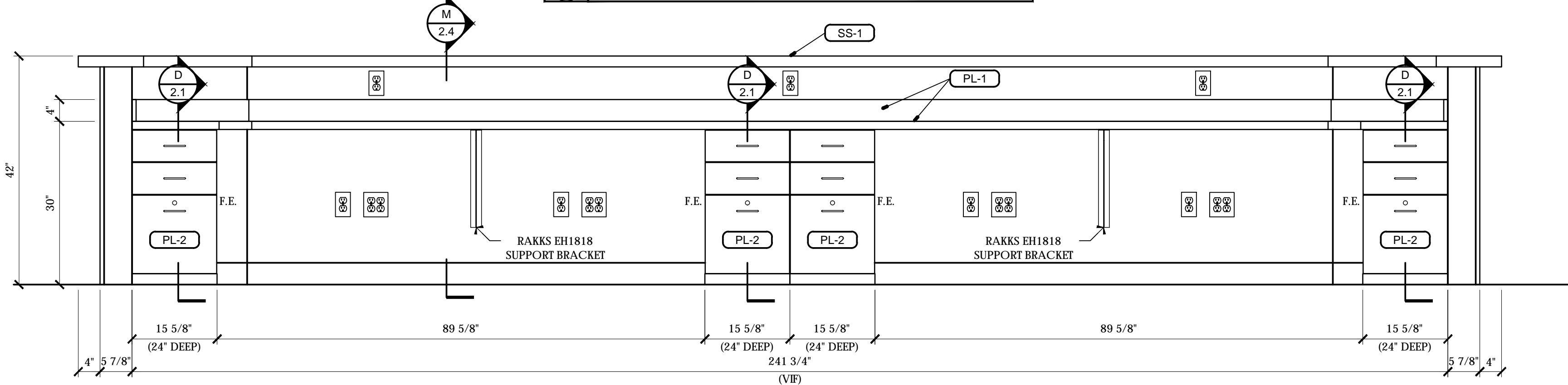


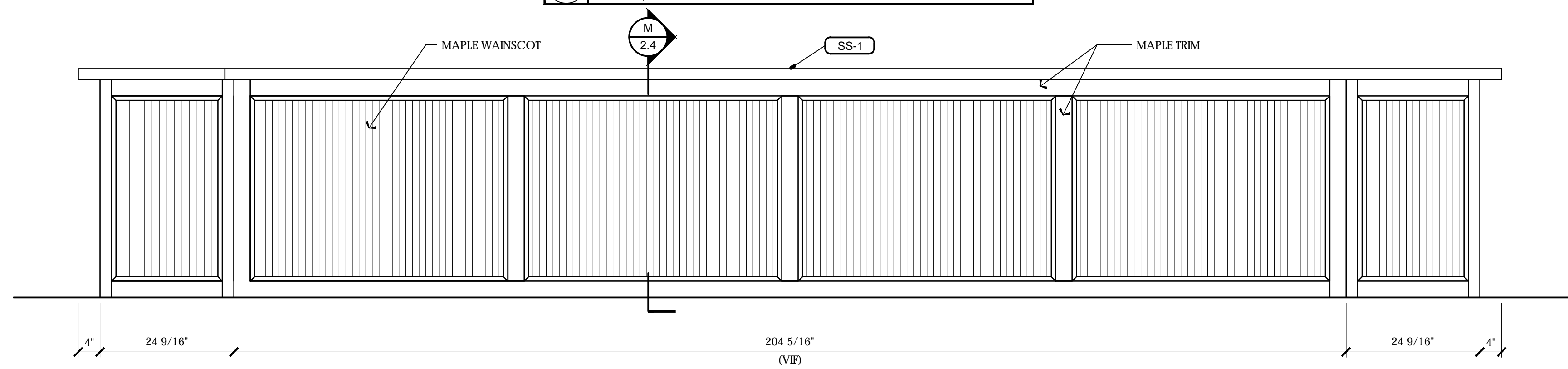
PLAN OF NURSE STATION "G1"
SCALE: 3/4" = 1' - 0"



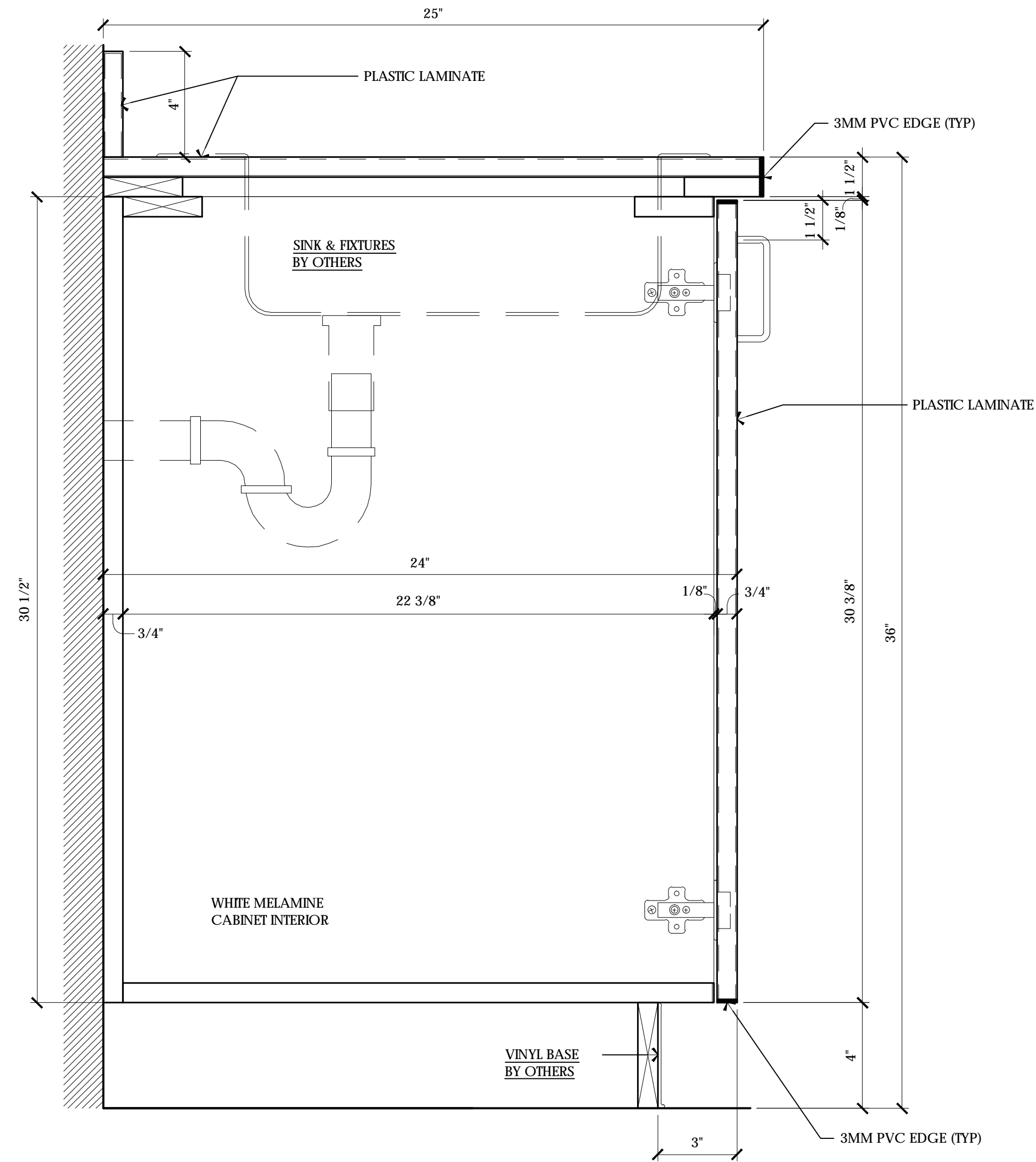
9 ELEVATION OF NURSE STATION "G1"
SCALE: 3/4" = 1' - 0"



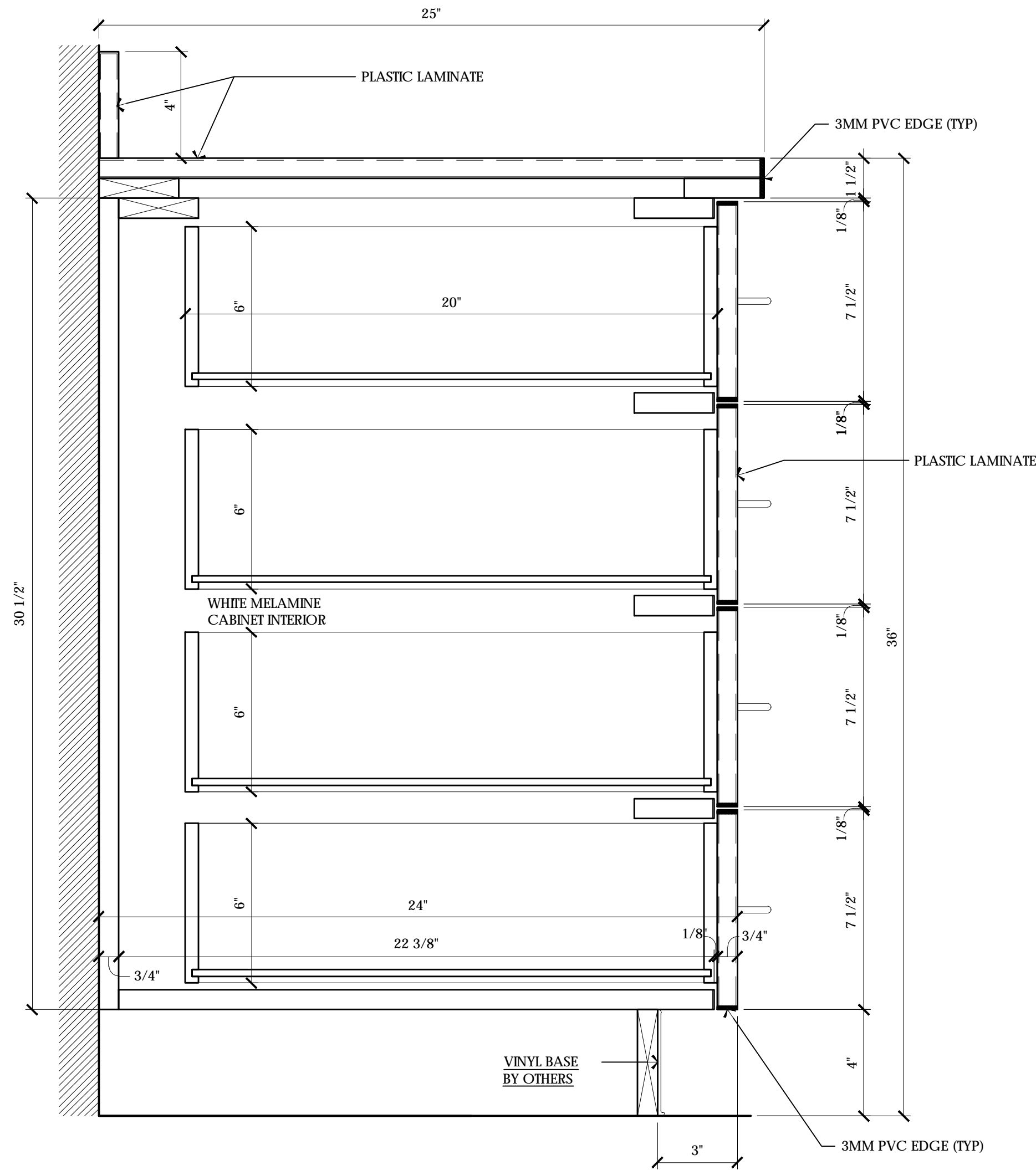
10 ELEVATION OF NURSE STATION "G1"
SCALE: 3/4" = 1' - 0"



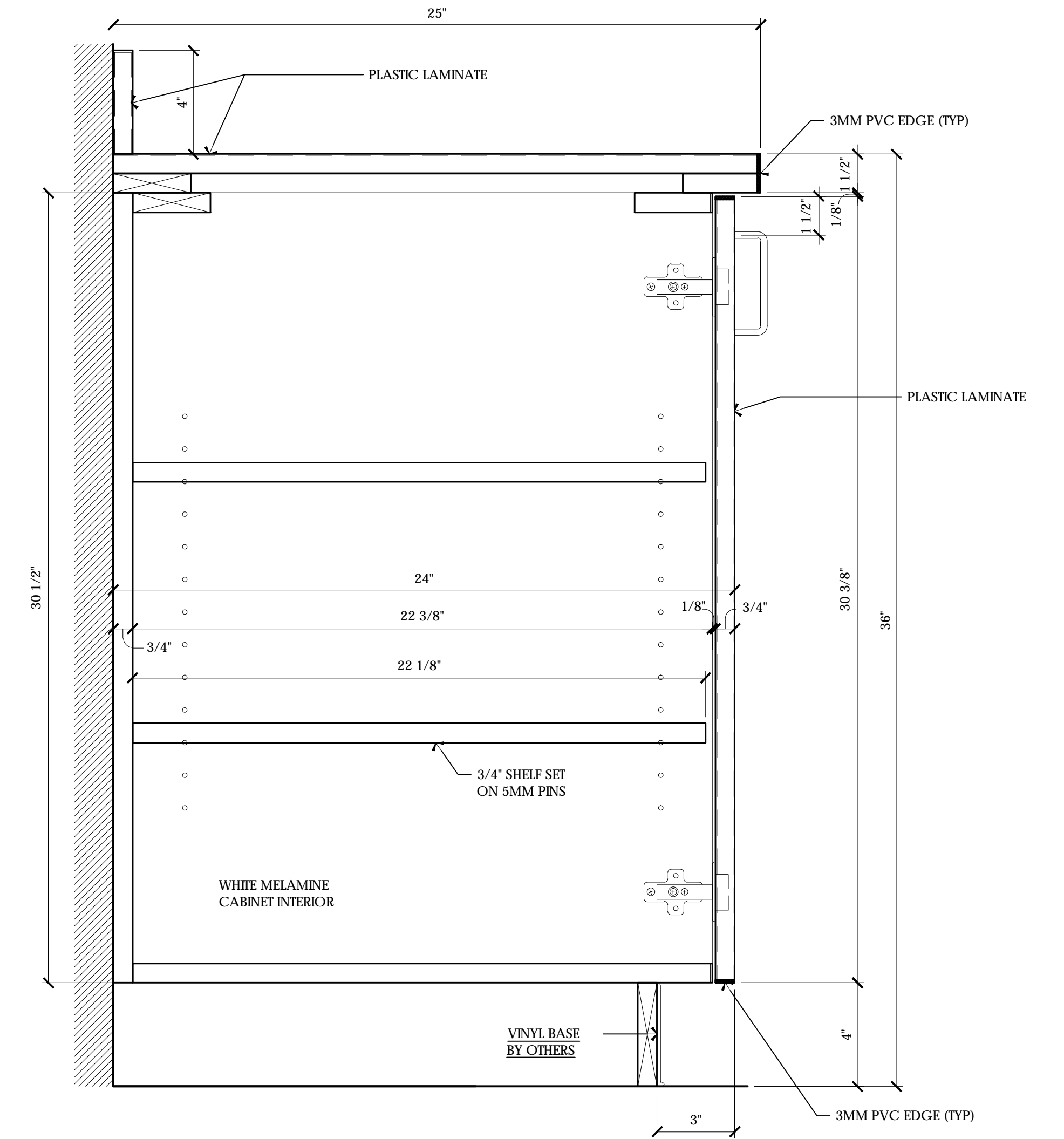
11 ELEVATION OF NURSE STATION "G1"
SCALE: 3/4" = 1' - 0"



E VERTICAL SECTION
SCALE: 3" = 1' - 0"



F VERTICAL SECTION
SCALE: 3" = 1' - 0"



G VERTICAL SECTION
SCALE: 3" = 1' - 0"

- GENERAL NOTES:**
1. ALL PLASTIC LAMINATE COUNTERS, DOORS AND DRAWER FRONTS TO BE EDGE BANDED WITH 3MM PVC PER THE ARCHITECT'S SELECTION.
 2. ALL EXPOSED SURFACES OF THE SUPPORT LEGS, WALL CABINETS, AND BASE CABINETS ARE TO BE PLASTIC LAMINATE PER THE ARCHITECT'S SELECTION.
 3. ALL CABINET INTERIORS ARE TO BE WHITE MELAMINE UNLESS OTHERWISE NOTED.
 4. ALL CABINET DOOR HINGES TO BE BLUM 120 DEG CONCEALED SELF CLOSING HINGE & PLATES
 5. ALL CABINET DRAWERS ARE TO BE SET ON FULL EXTENSION SLIDES.
 6. ALL CABINET DOORS AND DRAWER FRONTS ARE TO RECEIVE 4" WIRE PULLS 26D FINISH.
 7. ALL ADJUSTABLE WALL SHELVES ARE TO BE SET ON KV 87 STANDARDS AND 187 BRACKETS.

SHEET TITLE:
MILLWORK SECTIONS

APPROVED

WST
WALL SYSTEMS INCORPORATED

1275 CROMWELL AVENUE, SUITE C-6
ROCKY HILL, CT 06067
PH: (860) 563-9111
FAX: (860) 563-9093

REVISIONS		
DATE	DESCRIPTION	DETAIL

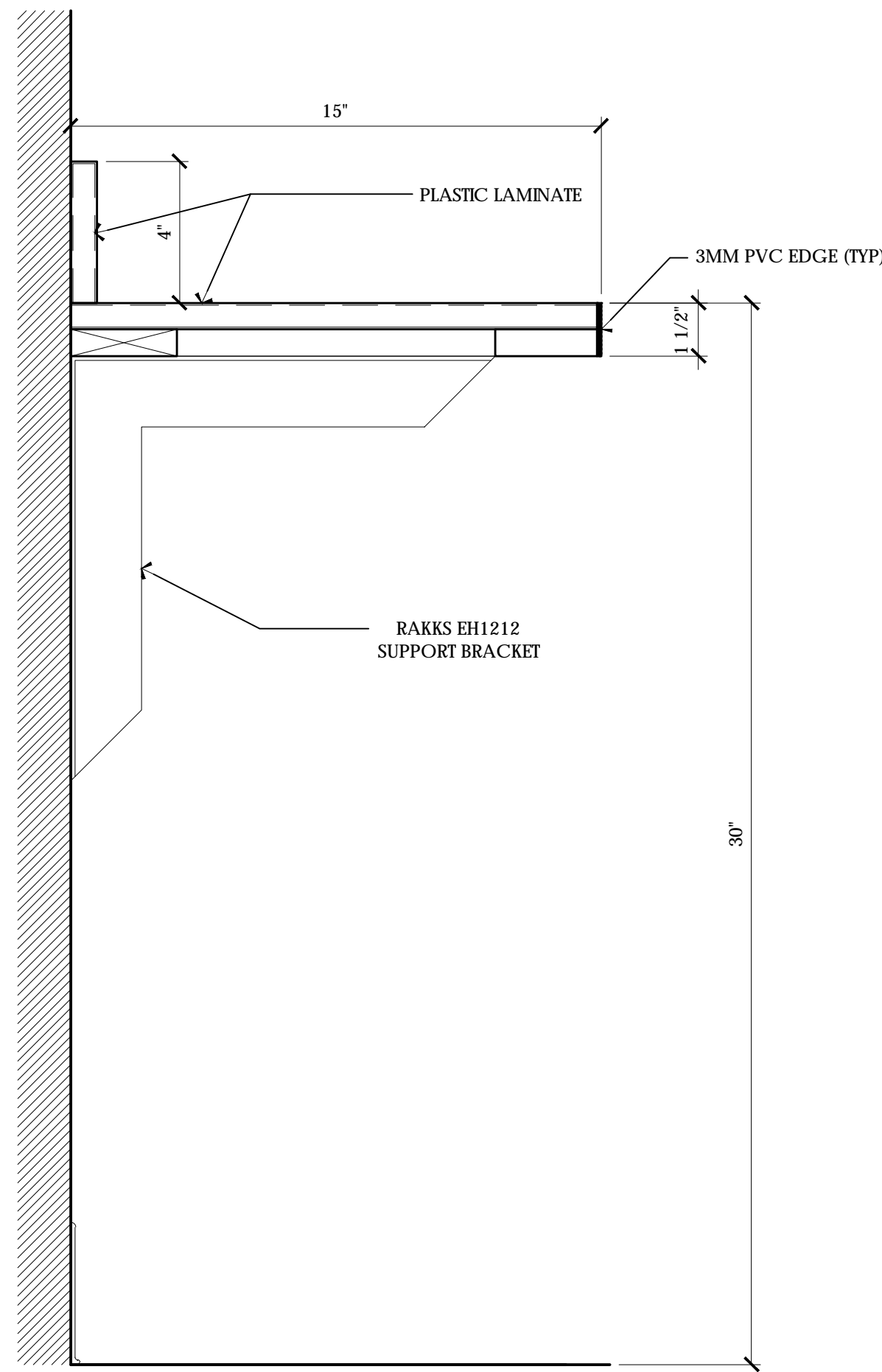
PROJECT TITLE: **Sample Drawing**

CONTRACTOR:

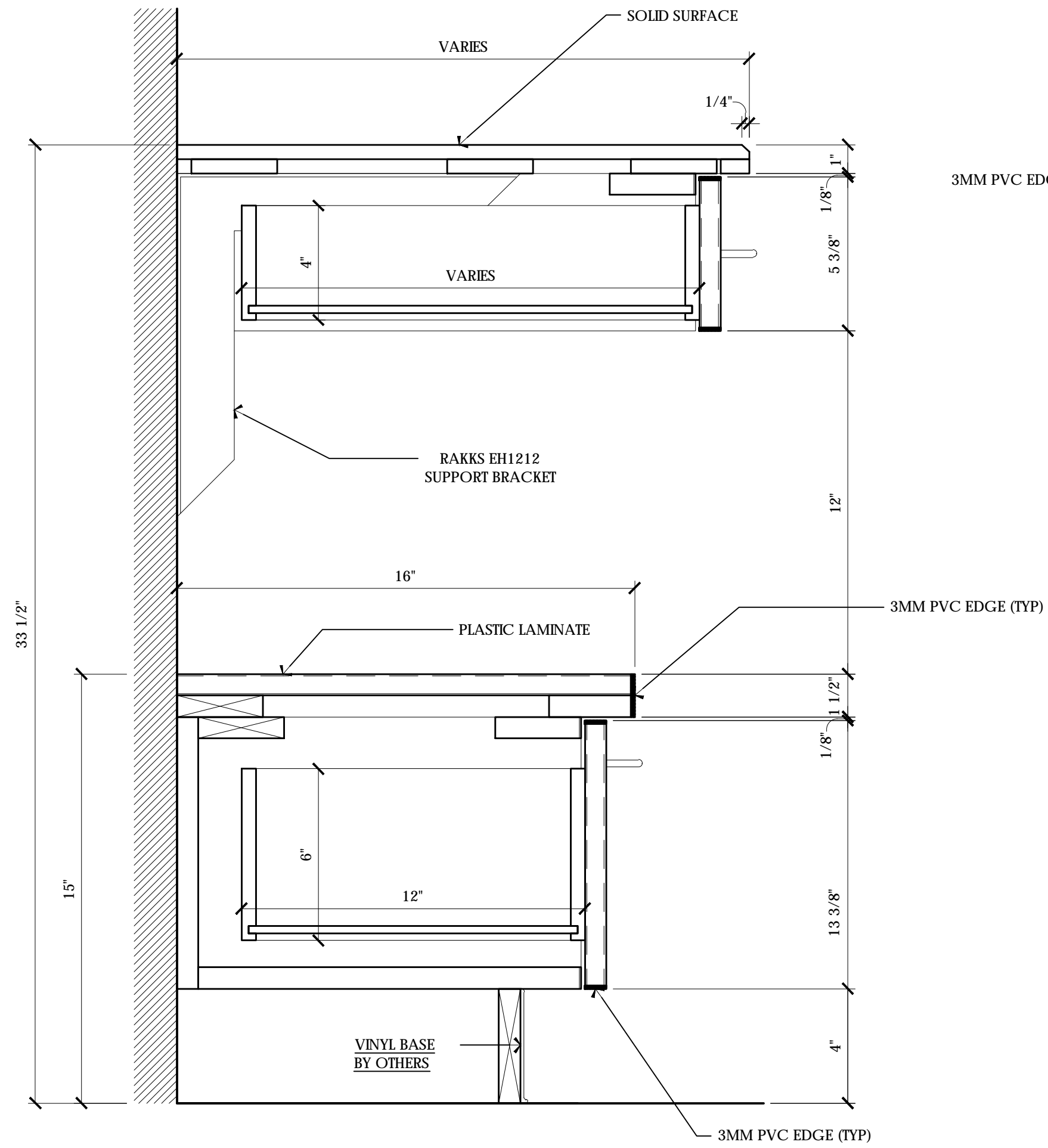
ARCHITECT:

DRAWN BY: A.TARDIF DATE: 07/15 SCALE: AS NOTED

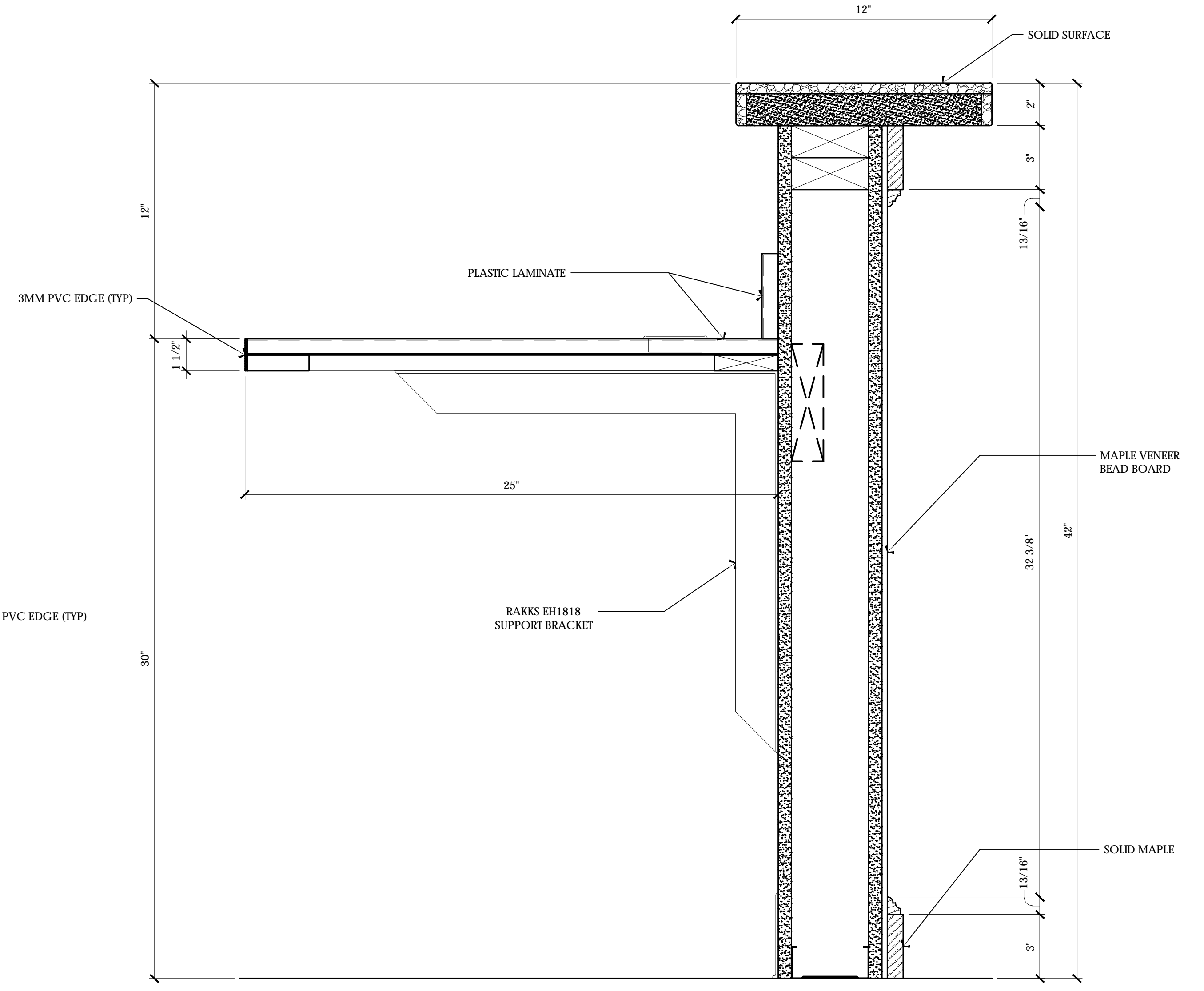
DWG. NO.#
2.2



K VERTICAL SECTION
SCALE: 3" = 1' - 0"



L VERTICAL SECTION
SCALE: 3" = 1' - 0"



M VERTICAL SECTION
SCALE: 3" = 1' - 0"

- GENERAL NOTES:**
1. ALL PLASTIC LAMINATE COUNTERS, DOORS AND DRAWER FRONTS TO BE EDGE BANDED WITH 3MM PVC PER THE ARCHITECT'S SELECTION.
 2. ALL EXPOSED SURFACES OF THE SUPPORT LEGS, WALL CABINETS, AND BASE CABINETS ARE TO BE PLASTIC LAMINATE PER THE ARCHITECT'S SELECTION.
 3. ALL CABINET INTERIORS ARE TO BE WHITE MELAMINE UNLESS OTHERWISE NOTED.
 4. ALL CABINET DOOR HINGES TO BE BLUM 120 DEG CONCEALED SELF CLOSING HINGE & PLATES
 5. ALL CABINET DRAWERS ARE TO BE SET ON FULL EXTENSION SLIDES.
 6. ALL CABINET DOORS AND DRAWER FRONTS ARE TO RECEIVE 4" WIRE PULLS 26D FINISH.
 7. ALL ADJUSTABLE WALL SHELVES ARE TO BE SET ON KV 87 STANDARDS AND 187 BRACKETS.

SHEET TITLE:
MILLWORK SECTIONS

APPROVED

WISI
WALL SYSTEMS INCORPORATED

1275 CROMWELL AVENUE, SUITE C-6
ROCKY HILL, CT 06067
PH: (860) 563-9111
FAX: (860) 563-9093

REVISIONS		
DATE	DESCRIPTION	DETAIL

PROJECT TITLE: **Sample Drawing**

CONTRACTOR:

ARCHITECT:

DRAWN BY: A.TARDIF DATE: 07/15 SCALE: AS NOTED

DWG. NO.#
2.4